

Meat&Doria **72234**
Hoffer Products **7532234**



FOCUS

Oil level sensor

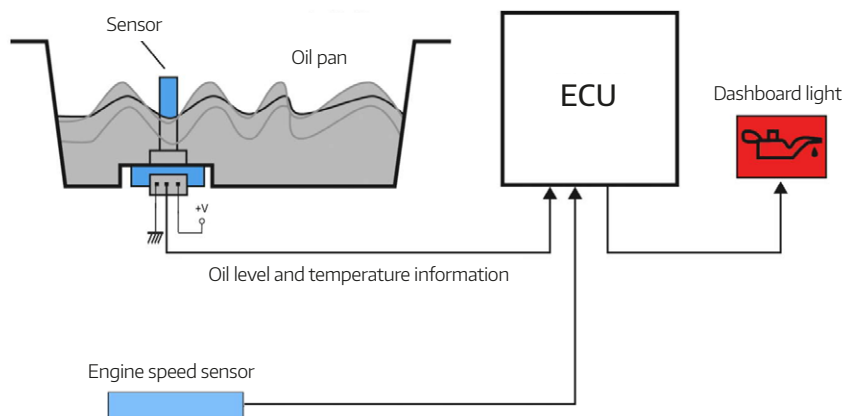


What is it?

The oil level sensor ensures that the vehicle's engine operates with a sufficient quantity of lubricating oil, continuously detecting the filling level during operation.

How does it work?

The oil level sensor **continuously monitors the oil level and temperature** (under both static and dynamic conditions). The measured values are transmitted to the engine control unit (ECU) via the PWM digital output signal.



The control unit evaluates the signal and engine speed and is capable of sending a warning to the driver via the dashboard indicator in case of critical oil level.

FOCUS
Oil level sensor



Focus n. 004
April 2024

MEAT & DORIA
SPECIAL PARTS
SINCE 1945

HOFFER
PRODUCTS
SINCE 1999



Where is it positioned?

The oil level sensor is important for monitoring the correct filling of the engine oil and **ensuring constant and linear operation of the internal components subject to lubrication**. If the oil level were not sufficient to lubricate and maintain the various components at the appropriate temperature, overheating and seizing would occur, resulting in engine failure.

Reasons for replacement

Oil sensors can become damaged due to **contaminated lubricants and any overheating** during their lifecycle. Usually positioned in the oil pan, they undergo significant thermal variations. It is therefore important to always have a functional and suitable replacement to prevent failures in components essential for the proper operation of the engine.

Error Codes

OBD-II DTC P250C and associated codes **P250A, P250B, P250D, P250E, and P250F** are associated with the engine oil level sensor circuit. When the PCM detects an abnormally low voltage or resistance in the engine oil level sensor circuit, a P250C code is set, and the check engine light illuminates. In some cases, the PCM may shut off the engine to prevent damage to internal engine components.

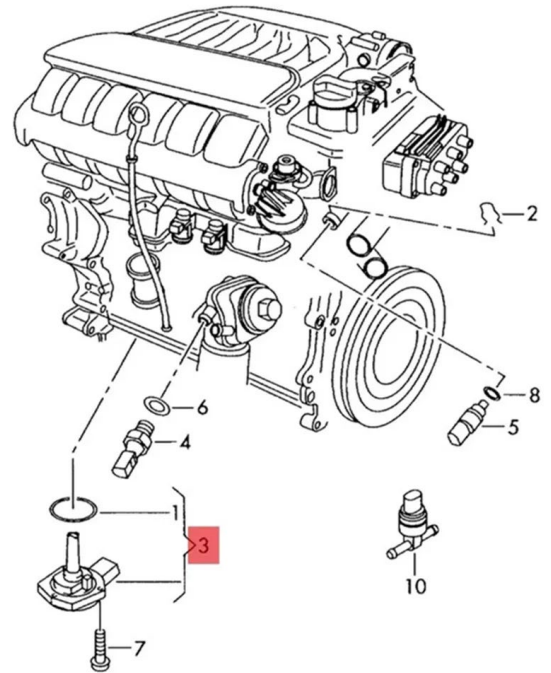
The symptoms of a P250C error code may include:

The engine does not start

Low oil pressure gauge reading

The service engine soon light will come on

Check engine light is illuminated



Meat&Doria **72261**
Hoffer Products **7532261**





Error code detail

Defective oil level sensor

Low engine oil level

Faulty or damaged wiring

Faulty fuse or jumper (if applicable)

Dirty or clogged oil pressure sensor

The engine oil level is too high

Corroded, damaged, or loose connector

Faulty PCM

Diagnosis steps

- 1** Examine vehicle-specific **Technical Service Bulletins** (TSBs) for year, model, and engine.
- 2** **Check the condition of the engine oil** and ensure it is maintained at the correct level.
- 3** Identify all components associated with the engine oil level sensor circuit and **look for obvious physical damage**. Depending on the vehicle, this circuit may include various components, including an oil pressure sensor, switches, malfunction indicators, an oil pressure sensor, and a PCM.
- 4** Perform a thorough visual inspection **to check the associated wiring** for obvious defects such as scratches, abrasions, exposed wires, or signs of burning.
- 5** **Check connectors and connections** for any signs of corrosion and damage to contacts. This process should include all electrical connectors and connections to all components, including the PCM.
- 6** **Refer to the specific vehicle technical specification sheet** to check the configuration of the oil level safety circuit and determine if a fuse or relay is included in the circuit.
- 7** Clear error codes.
- 8** Check oil wear status.
- 9** Perform parameterization.

Meat&Doria **72444**
Hoffer Products **7532444**



VIO EUROPE

Code 72204: > 10 mln

Code 72205: > 12 mln

Code 72206: > 1,7 mln



SINCE 1945



SINCE 1999